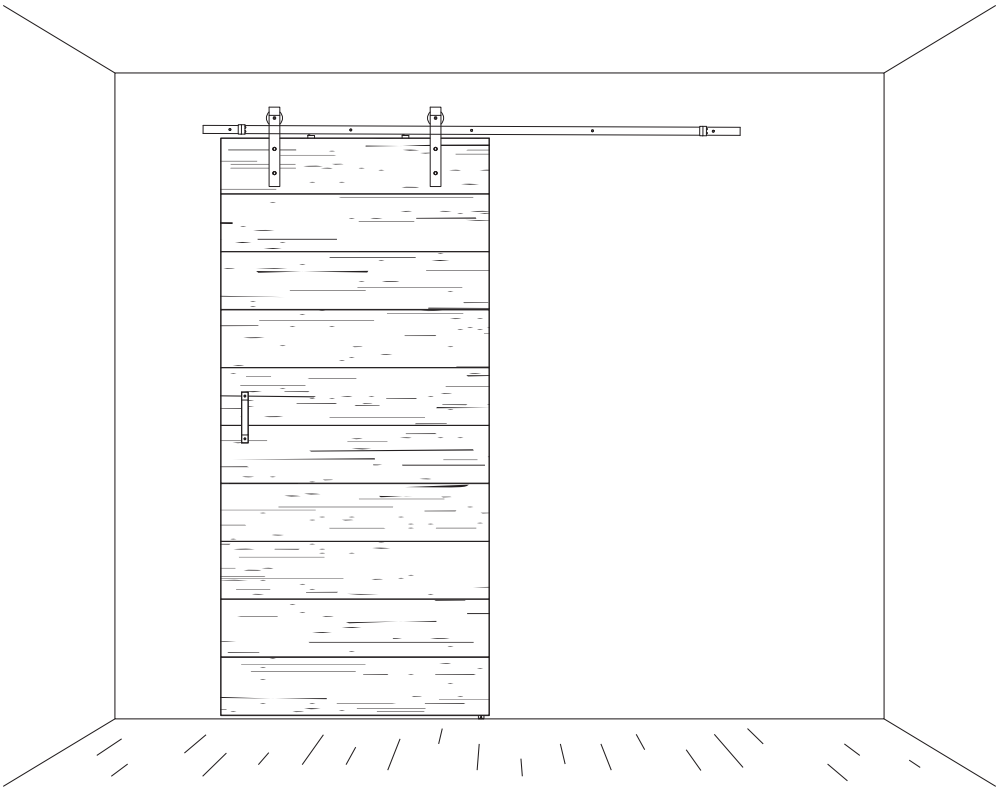
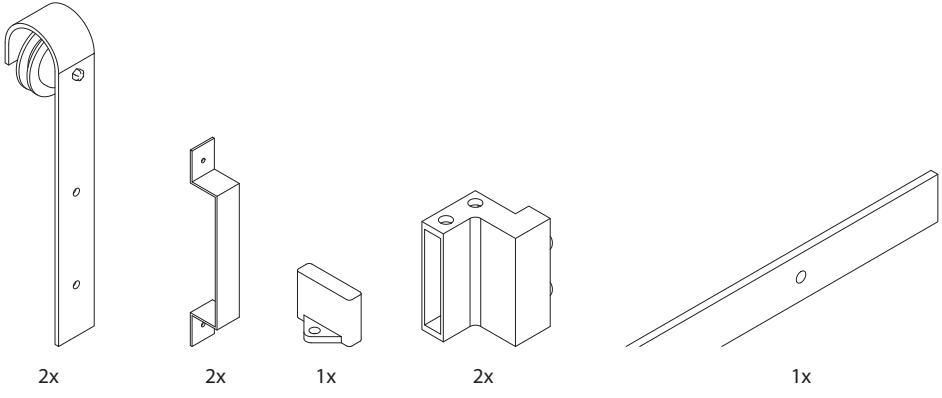
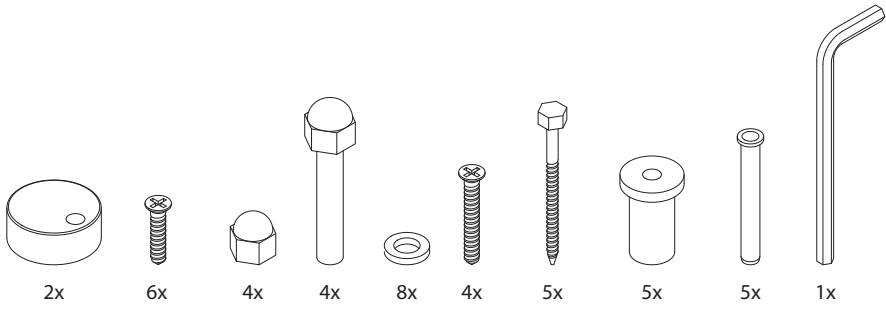


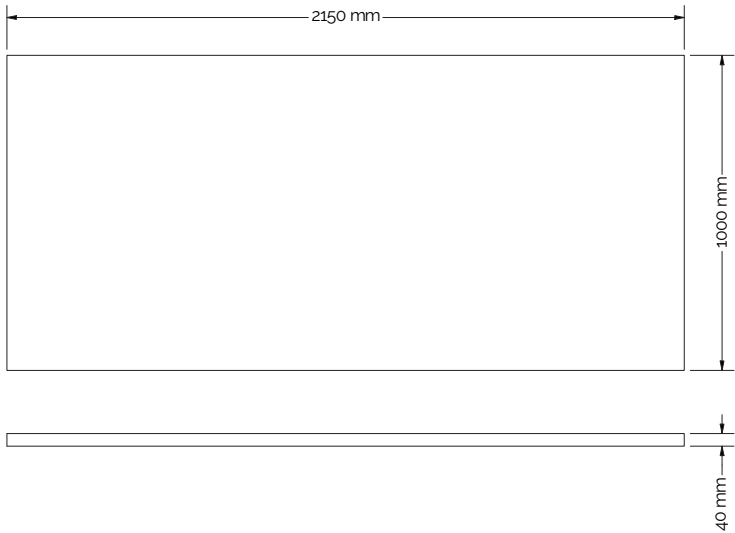
ASSEMBLY GUIDE

WOODUPP-SLIDING DOOR

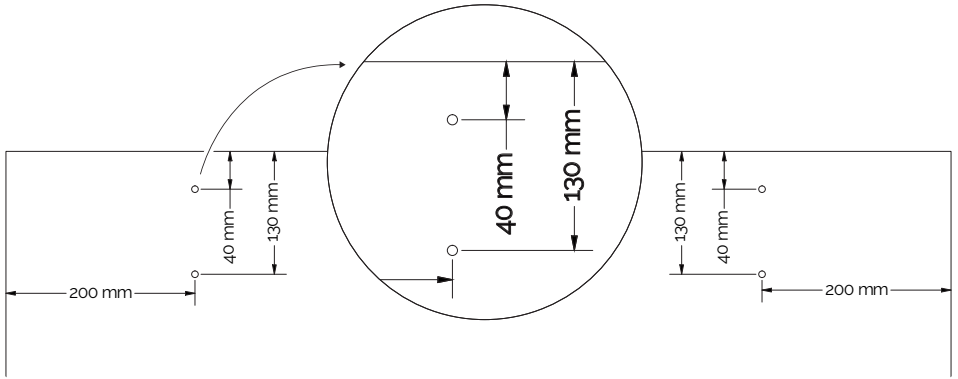




DIMENSIONS OF DOOR

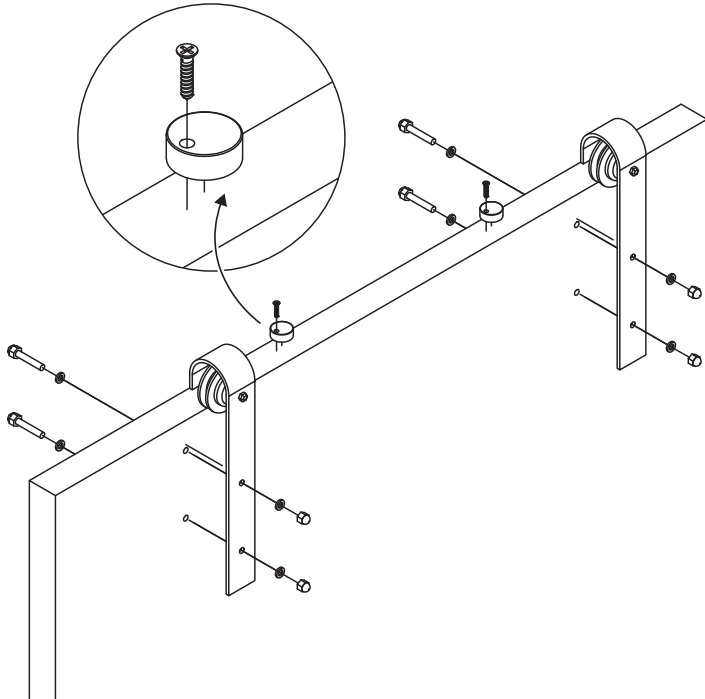


1. DRILL HOLES FOR ROLLS

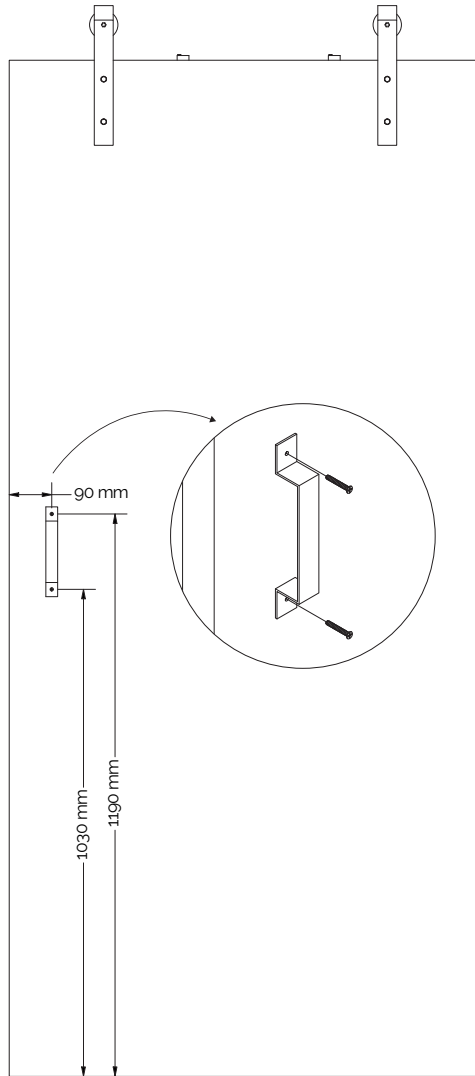


2. MOUNTING OF ROLLS

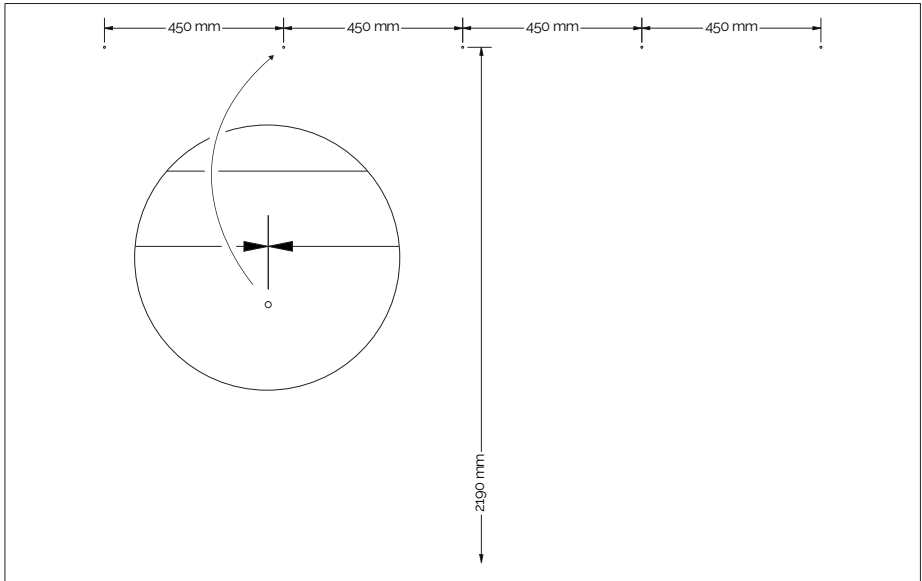
REMEMBER SAFETY STUD



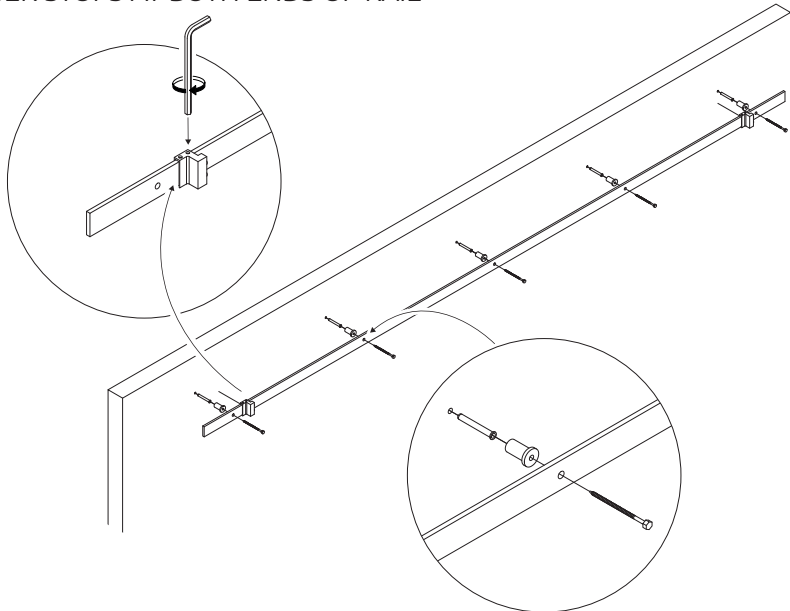
3. MOUNTING OF HANDLE



4. MOUNTING RAIL ON WALL

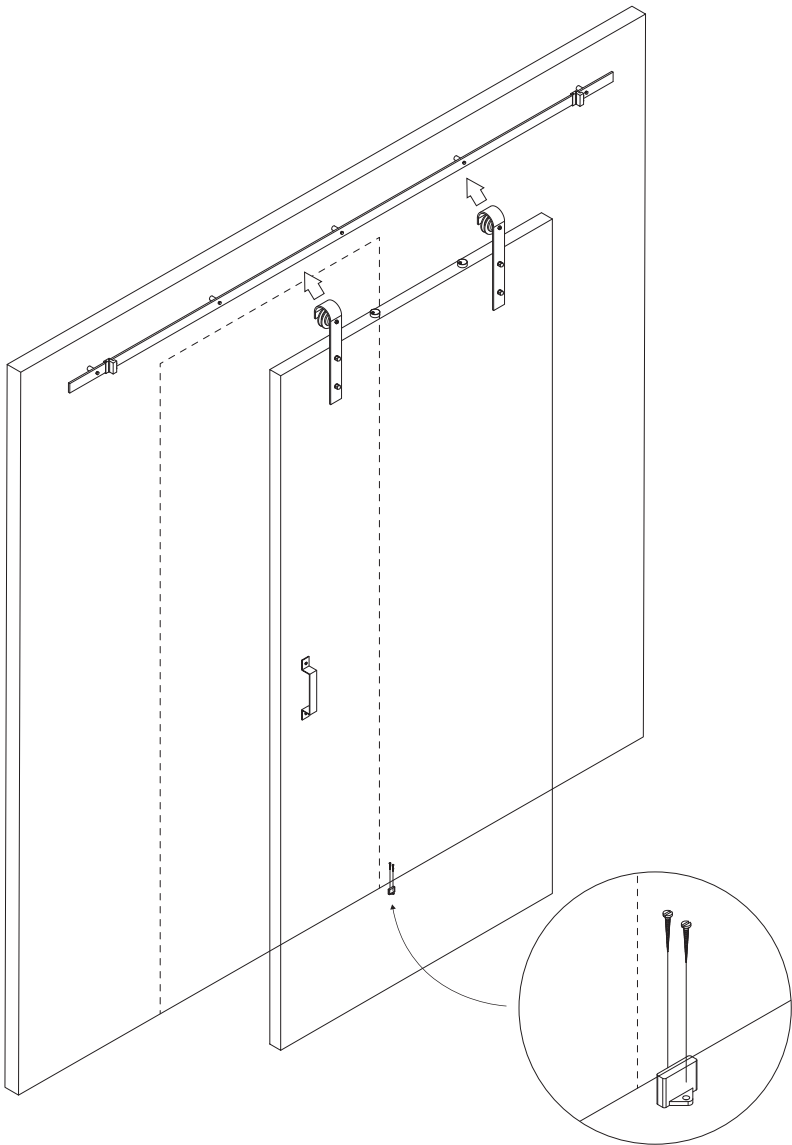


REMEMBER STOPS AT BOTH ENDS OF RAIL



REMEMBER RAWLPLUGS

5. MOUNTING DOOR ON RAIL



REMEMBER GUIDE FOR THE DOOR

YOU ARE NOW DONE!
CONGRATULATIONS ON YOUR NEW
WOODUPP-SLIDING DOOR

