



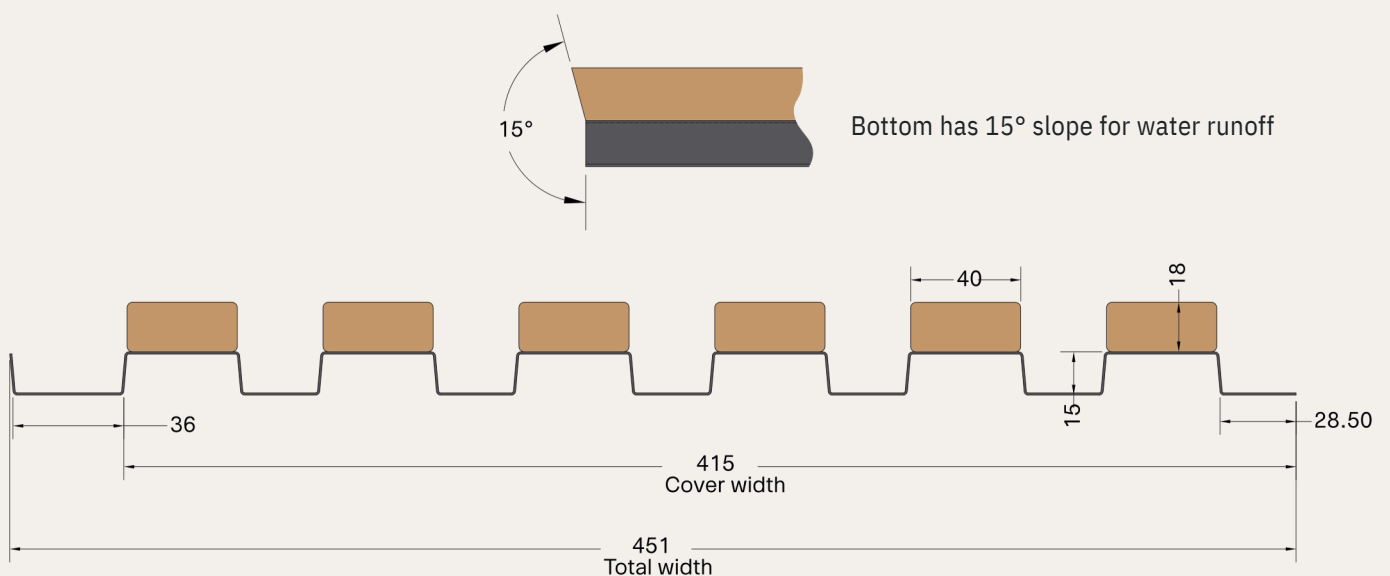
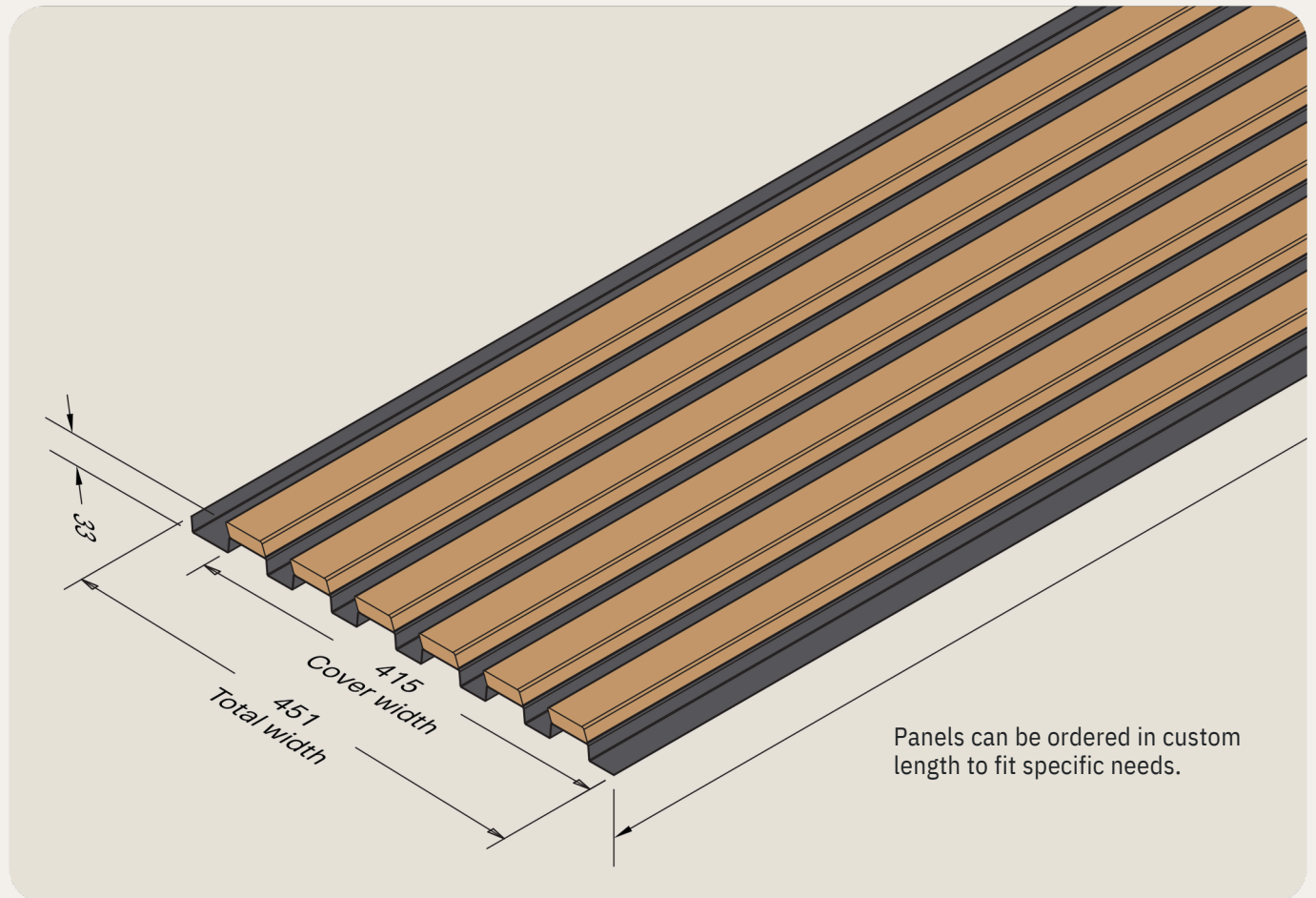
# Aluwood

## Installation guide

WOOD  UPP

# Aluwood panels

Aluwood outdoor panels are powdercoated durable exterior cladding panels designed for outdoor use. They combine thermally modified solid wood with the strength and weather resistance of aluminium, making them suitable for facades, fences, and decorative exterior walls.



# Content

**1** Products

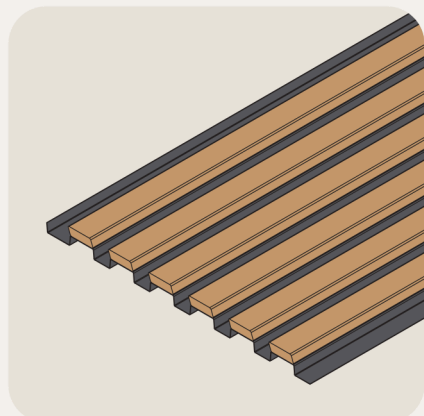
**2** Recommended Tools & Materials

**3** Recommended Safety Information

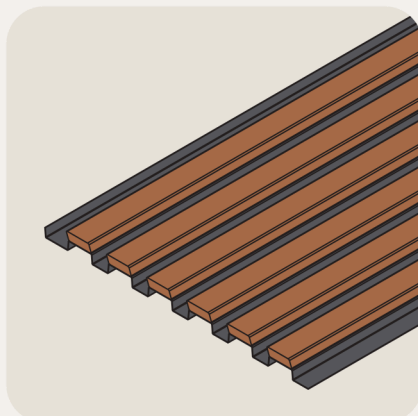
**4** Recommended Installation

# Products

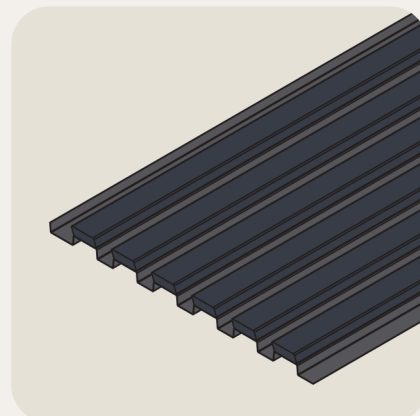
All products are standard 2400 mm long



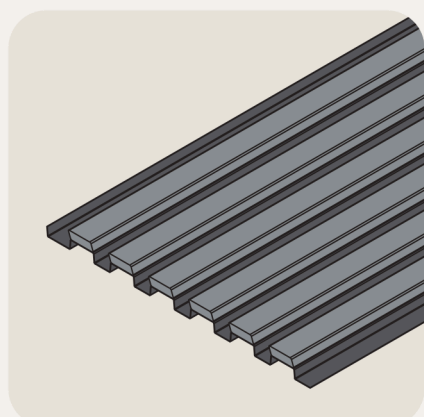
**Aluwood - Brown**



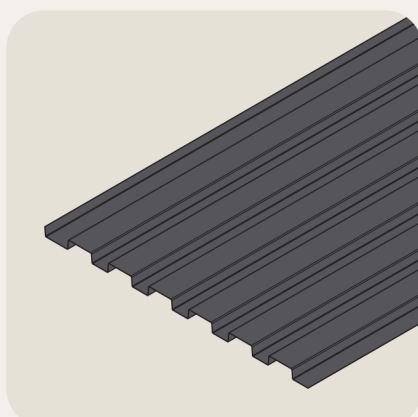
**Aluwood - Oiled Brown**



**Aluwood - Black**



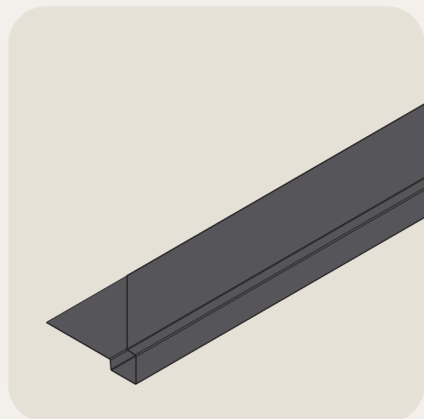
**Aluwood - Grey**



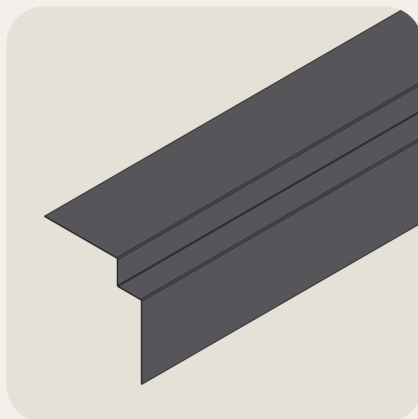
**Aluwood - Alu (No wood)**

# Coverage

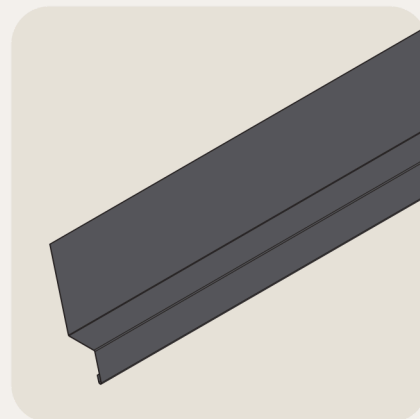
All products are standard 2400 mm long



**Outside corner p. 14**



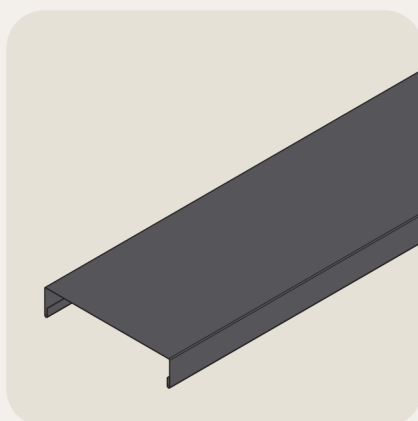
**Inside corner p. 15**



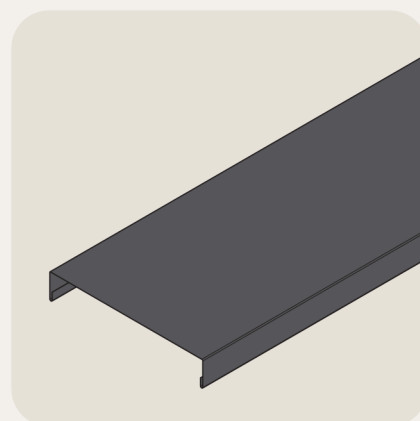
**Bottom / divider - p. 16-17**



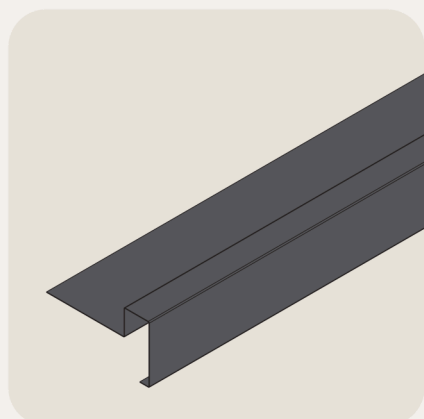
**Insect screen - p. 18**



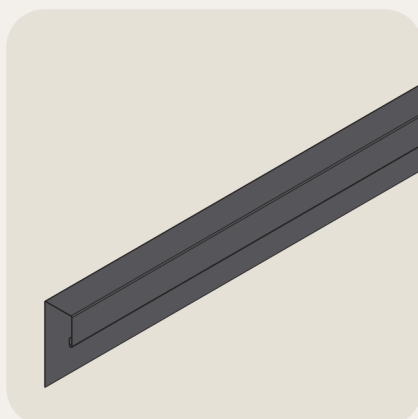
**Wall crown 200 mm p. 19**



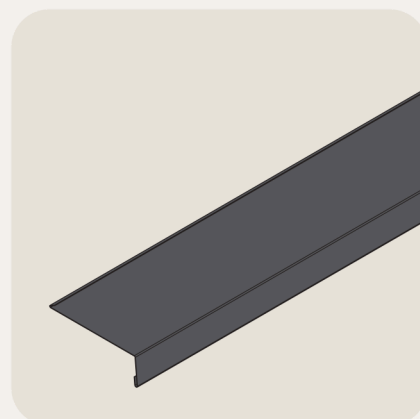
**Wall crown 250 mm - p. 19**



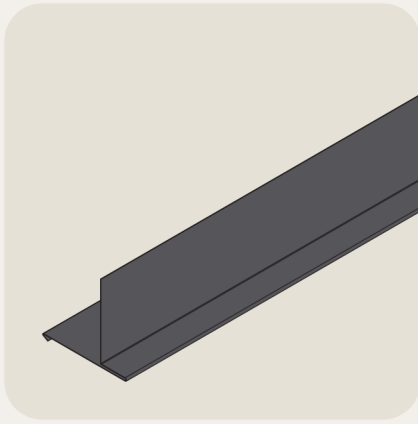
**End profile - p. 20**



**Top profile p. 21**



**Window sill - p. 22**



Coverage - p. 23 / 24

## Mounting materials



**Aluwood back screws**

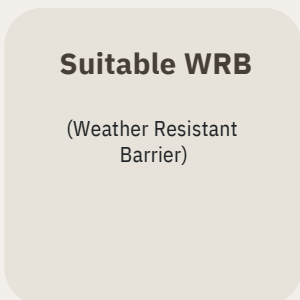


**Aluwood front screws**  
(mounting on wood)



**Aluwood front screws**  
(mounting on steel / aluminium)

## Recommended fitting



## Recommended tools & materials



**Folding rule**



**Pencil/marker**



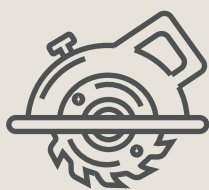
**Level**



**Power drill**



**T20 Torx Bit Driver**



**Circular saw**



**Utility knife**



**Metal snips**

## Recommended safety information



**Wear protective gloves and safety glasses during installation**



**Use proper lifting techniques when handling panels**



**Follow all local building codes and regulations**

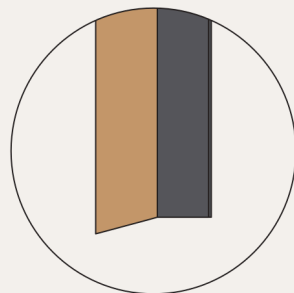
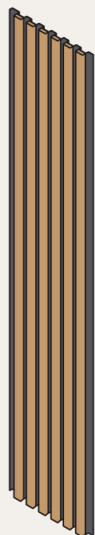
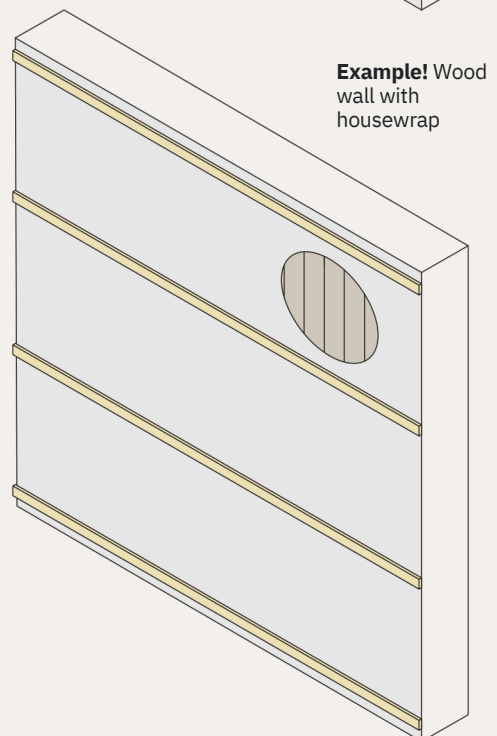
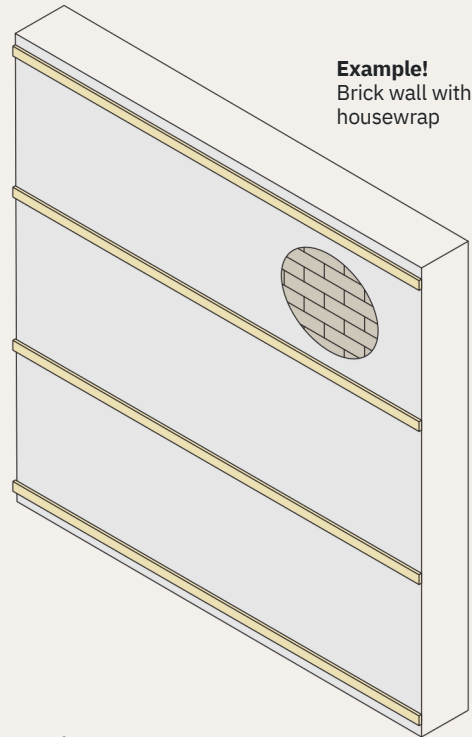
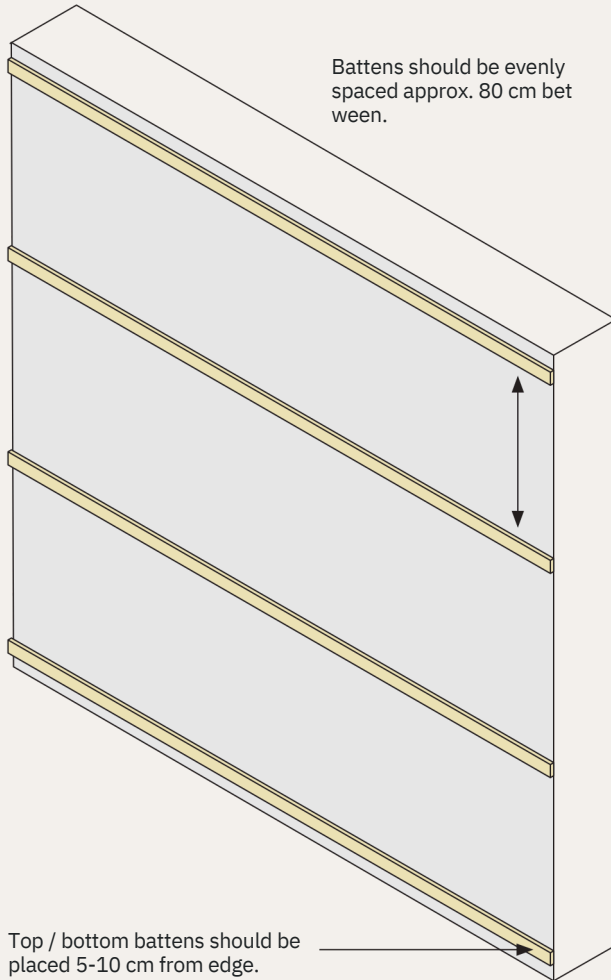


**Do not install panels in extreme weather conditions (heavy rain, strong wind)**

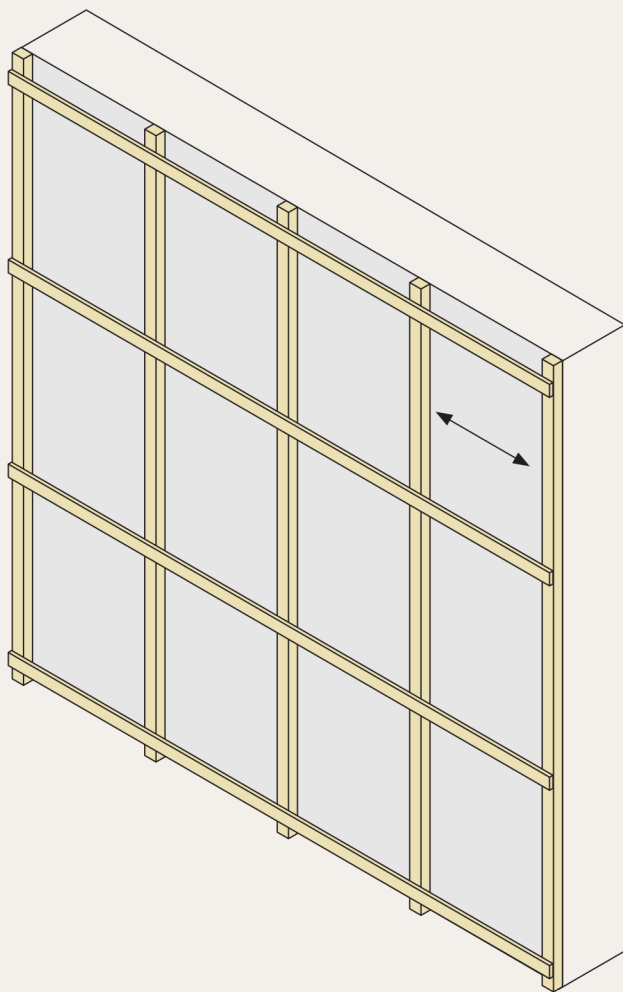
# Recommended installation

## Step 1:

### Install battens/furring strips horizontally

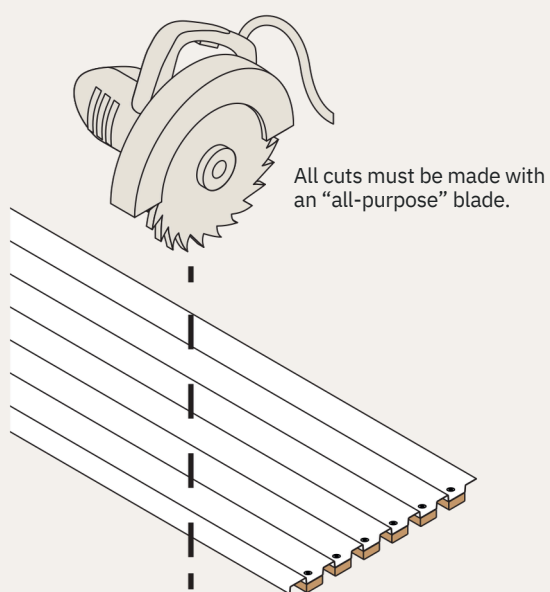


**Install battens/furring strips vertically (optional)**



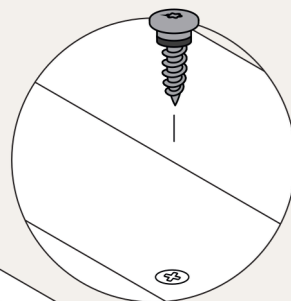
Battens should be evenly spaced approx. 80 cm between.

**Make cuts if necessary for proper panel and or trim fitment**

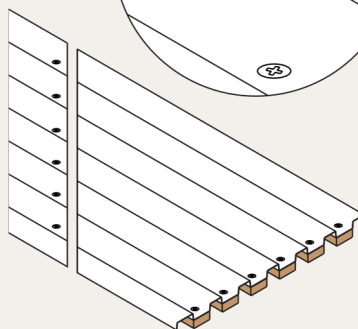


All cuts must be made with an "all-purpose" blade.

**6x**  
SKU7926 screws

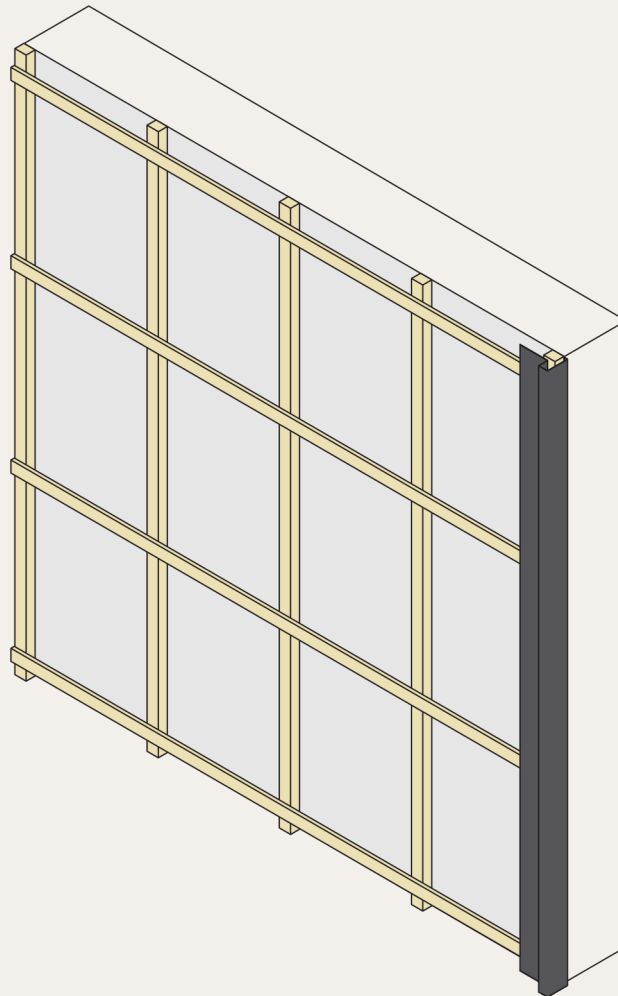


**IMPORTANT!** Be sure to securely fasten the slats to the aluminium from the backside along any cut areas. **Screw 1 cm from cutline.**



## Step 2: Placing the start trims and first panels

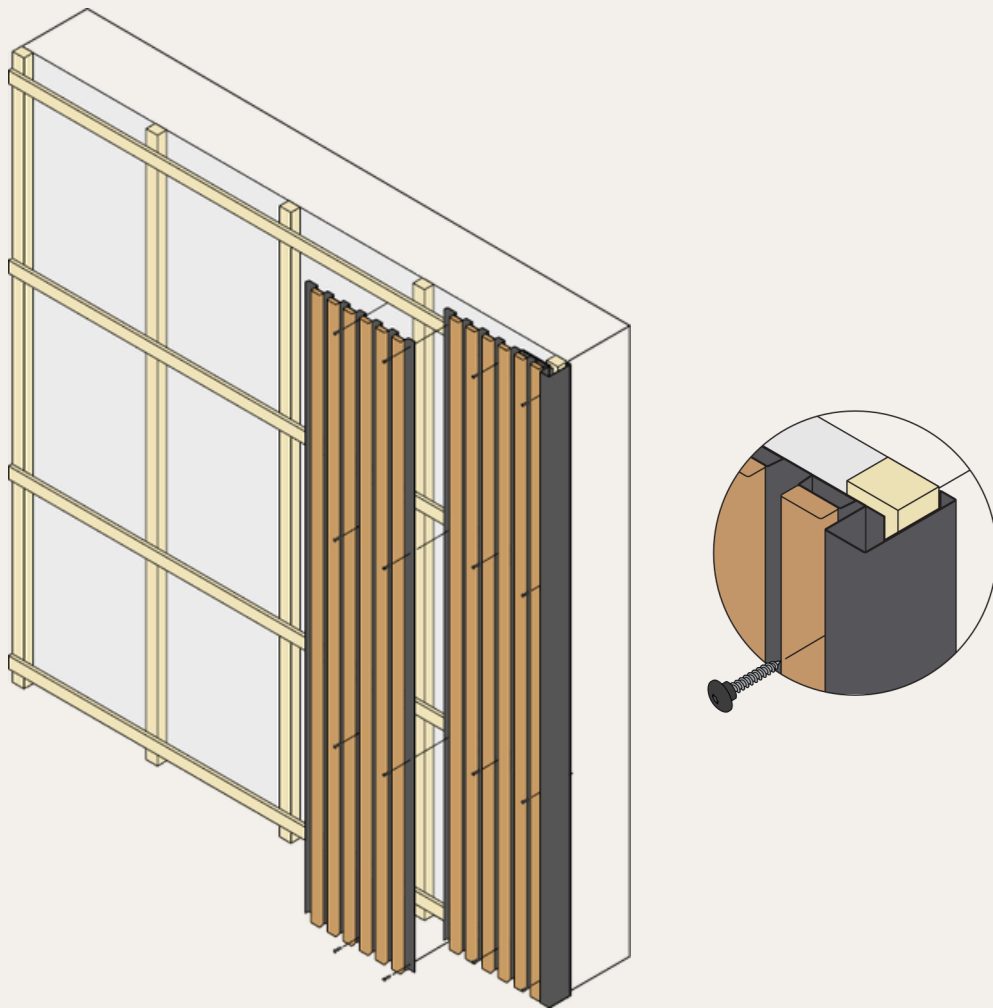
- Install any needed “starter” trim along bottom and side edge so that panels will be on top of the trim to aid in keeping moisture out.



**Example!**

- Start with side trim and suggested direction is from right to left, but both is possible. (left side with tongue, right side without tongue, one goes on top of the other).



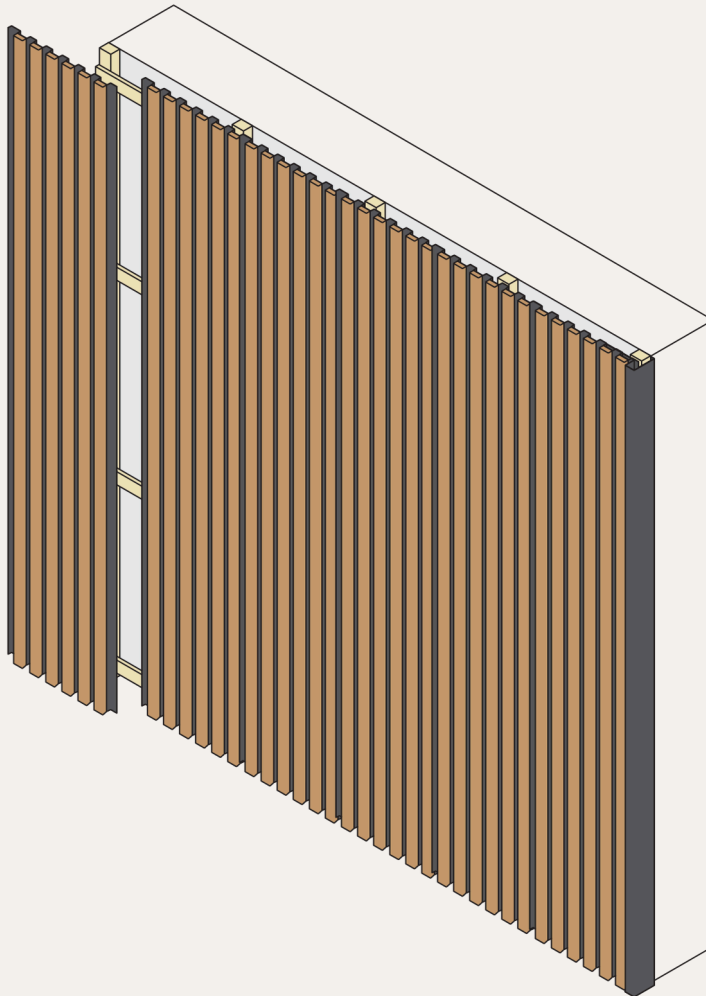


- Position the panel and check for plumbness using a level. Make sure screws are aligned with rear battens. Secure the panel to the battens/furring strips with the mounting screws leaving out screws along edge where adjacent panel will overlap. Do not overtighten screws — Keep screws straight and tighten just enough to seal the rubber washer. Install adjacent panels by overlapping the previously installed panel and checking vertical alignment frequently for perpendicularity.

- 
-

## Step 3: Finishing

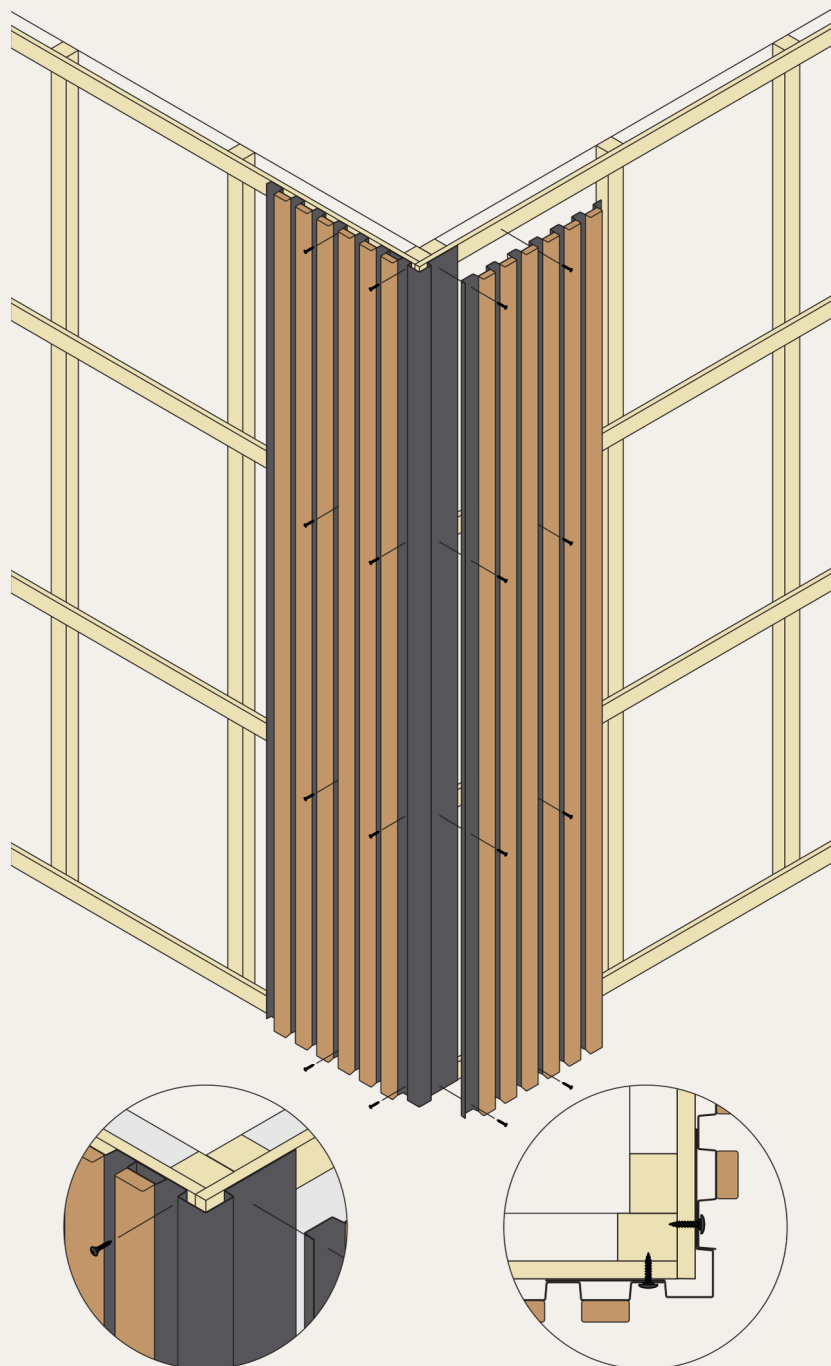
- Inspect all attachment points and proper panel overlapping.



**Example!**

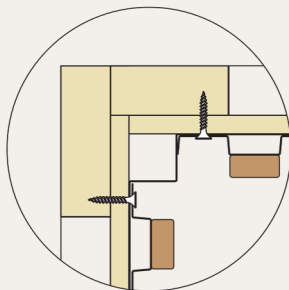
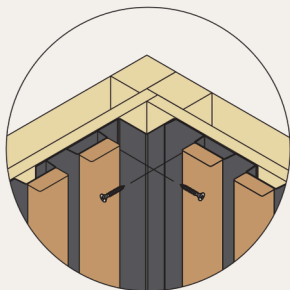
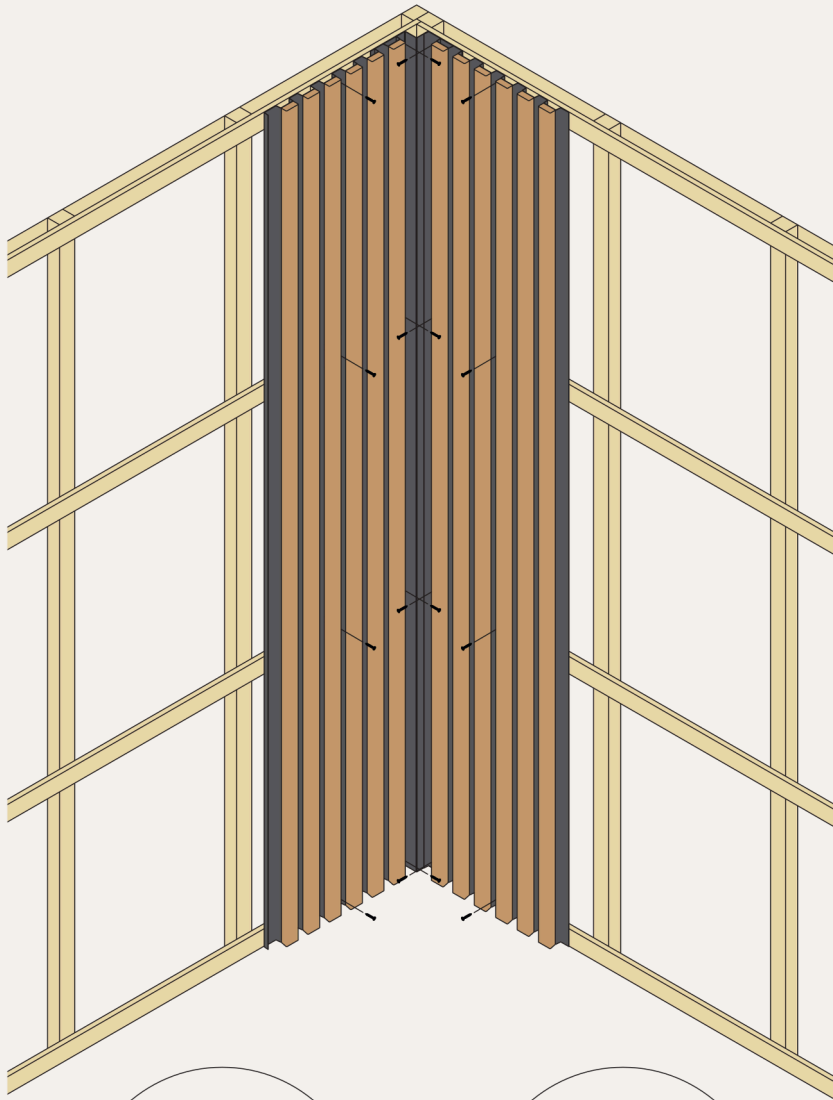
# Installation application details

## Option 1: Outside corner:



# Installation application details

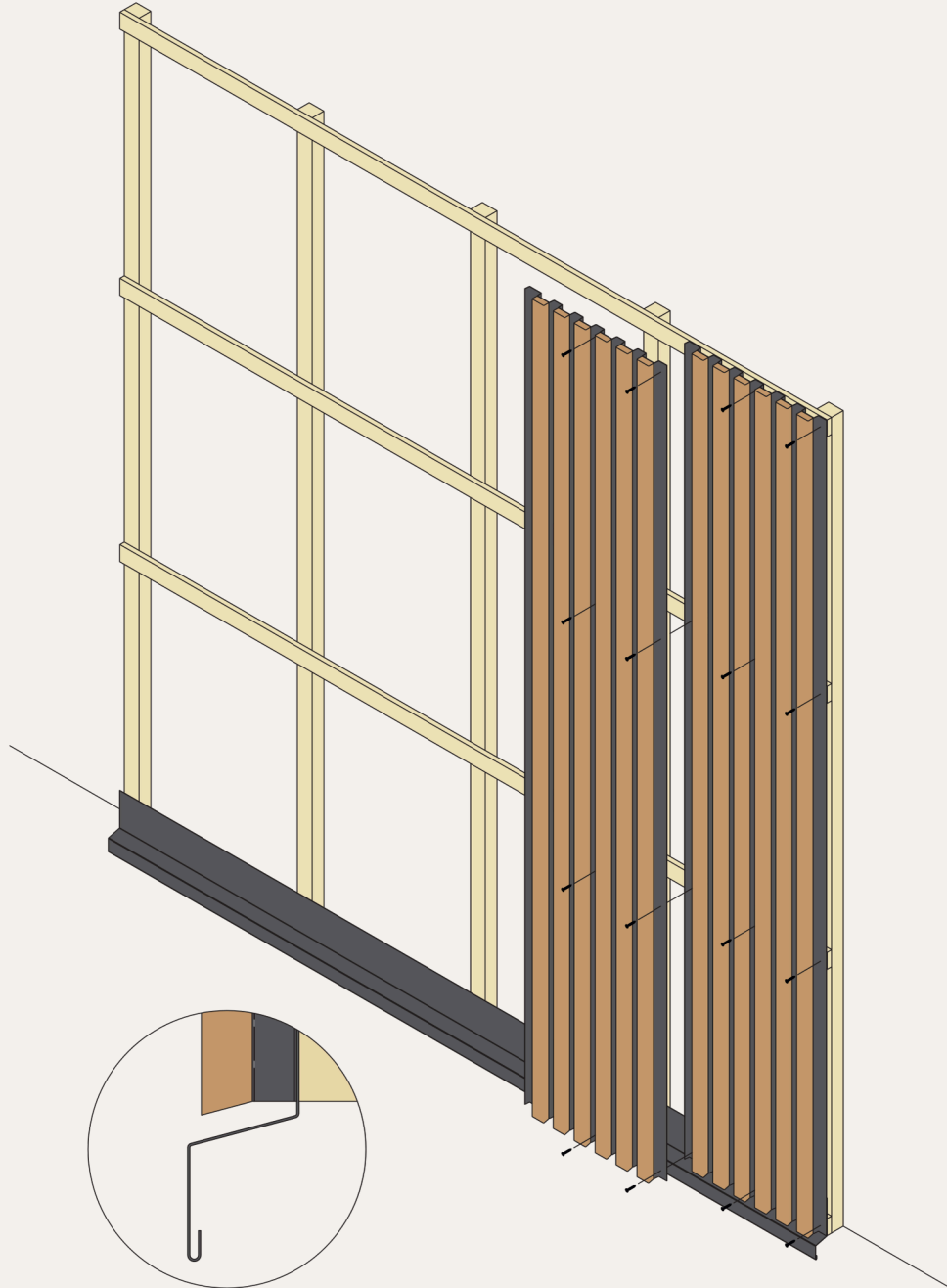
## Option 2: Inside corner:



This piece can also be used to join a wall and ceiling.

# Installation application details

## Option 3a: Bottom trim / divider:



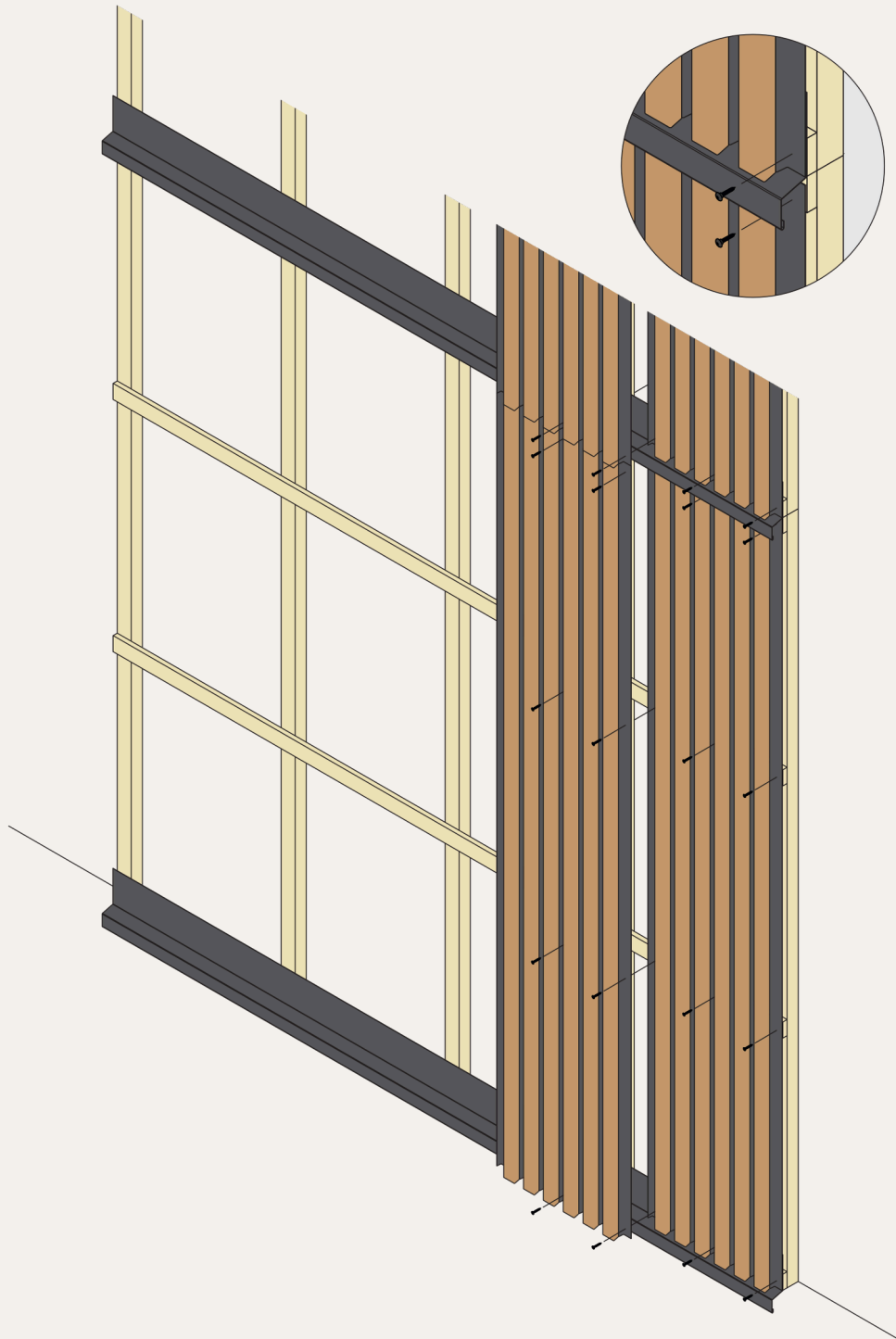
**TIP**

It is preferable to leave a space under the bottom water drip to facilitate water drainage and prevent stagnation between the wall and the bottom. The bottom piece can also provide strategic extra centimeters. The panels can be installed up to 7 cm

above the water drainage flap.

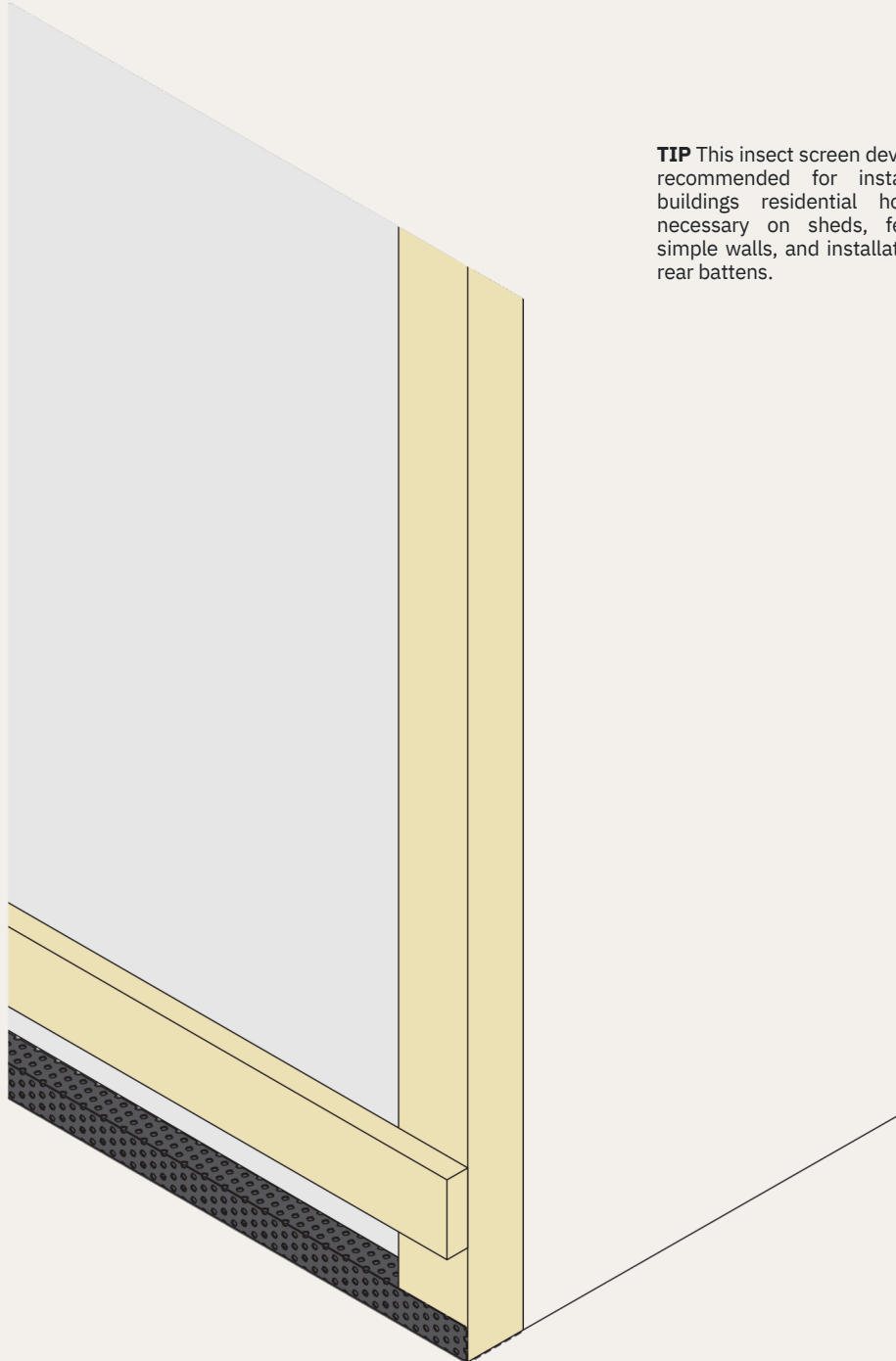
# Installation application details

Option 3b: Divider trim / bottom:



## Installation application details

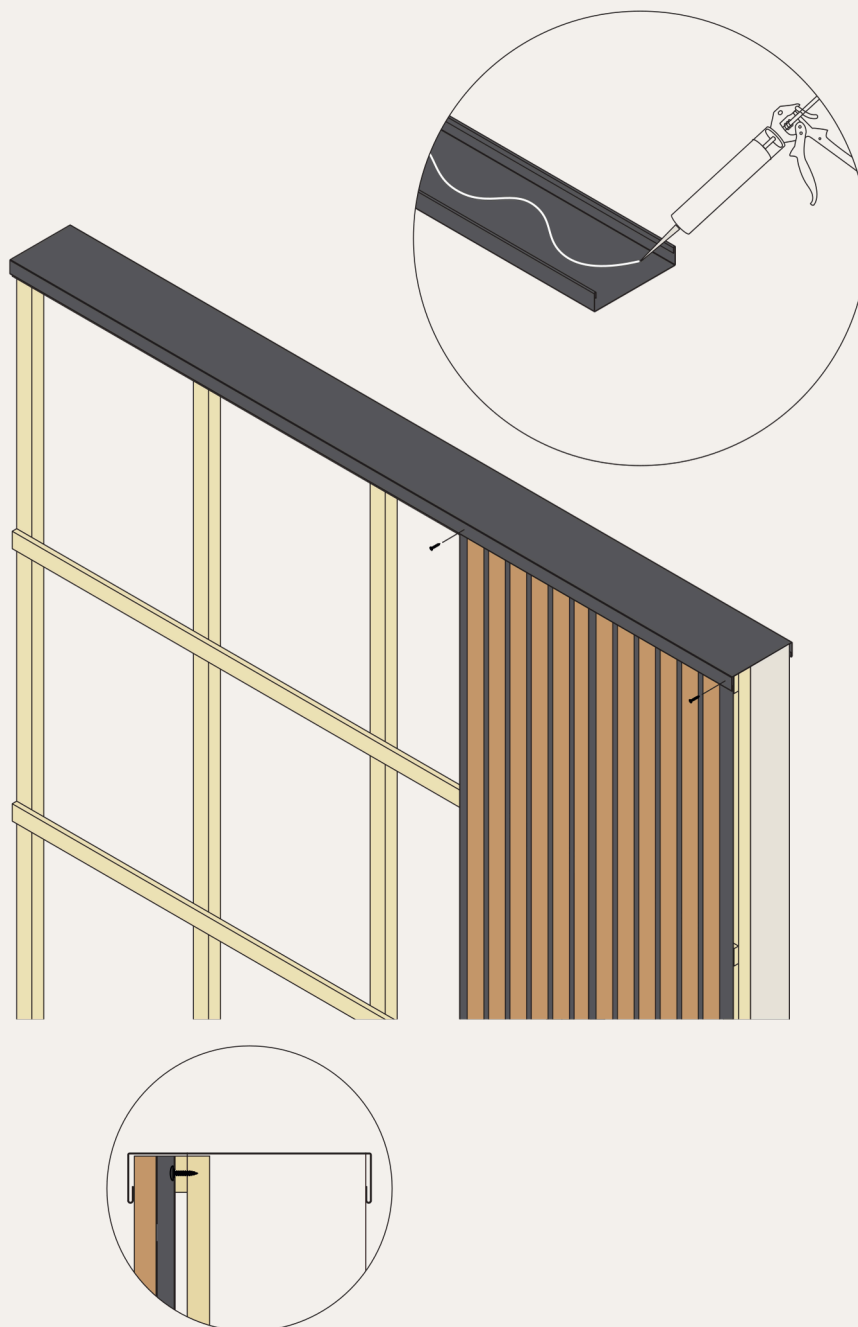
### Option 4: Insect screen:



**TIP** This insect screen device is highly recommended for installation on buildings residential houses. Not necessary on sheds, fences, and simple walls, and installation without rear battens.

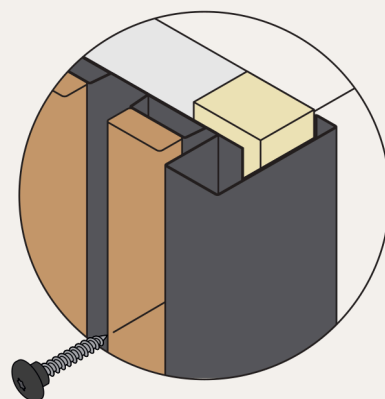
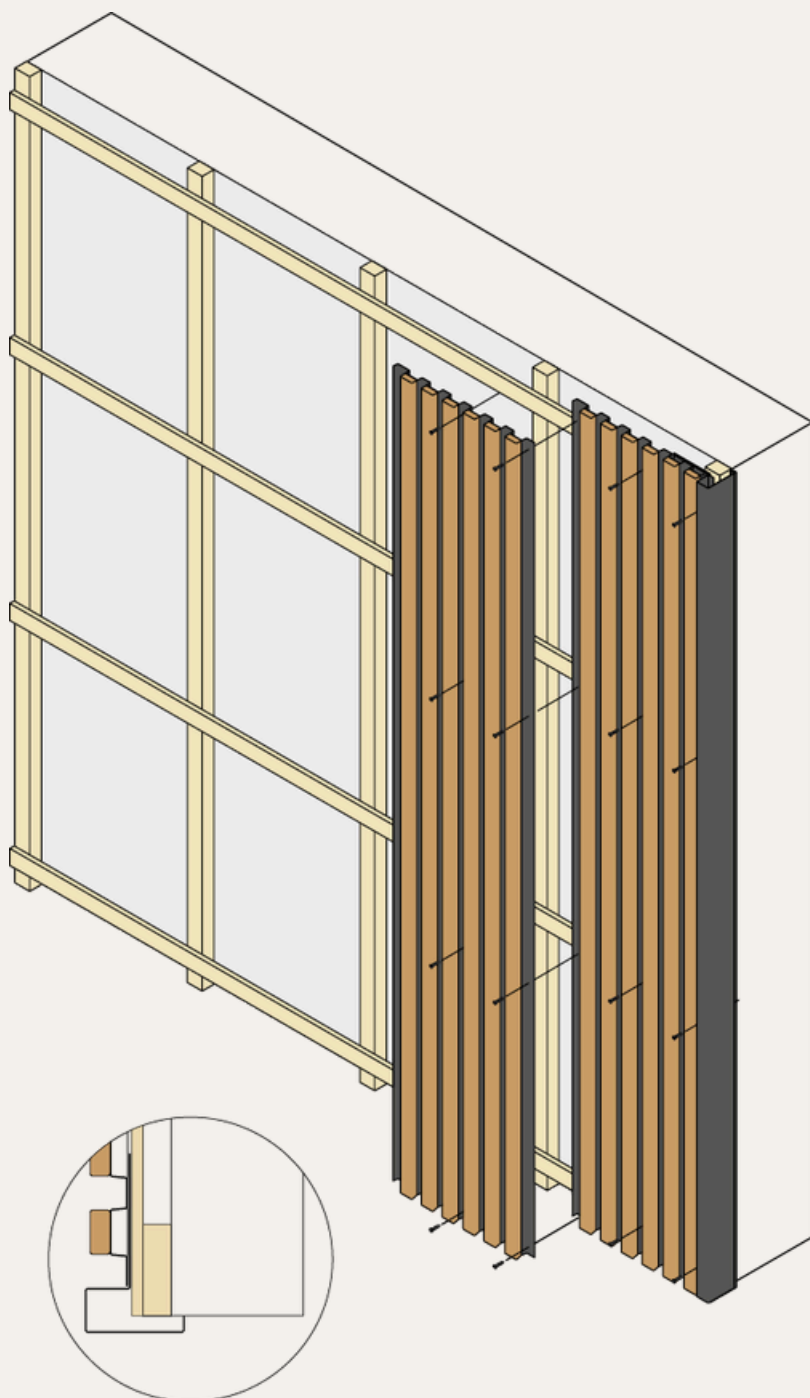
# Installation application details

## Option 5: Wall crown:



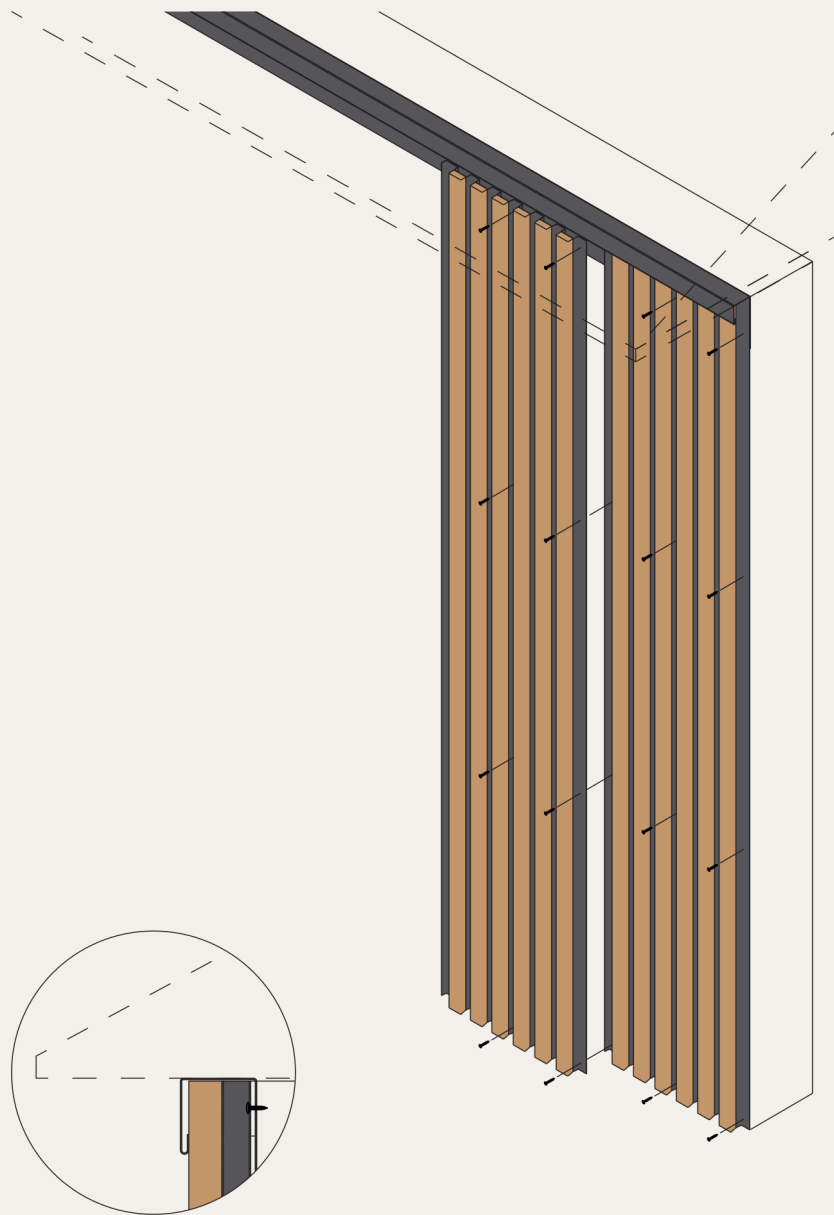
# Installation application details

Option 6: End profile with rear battens:



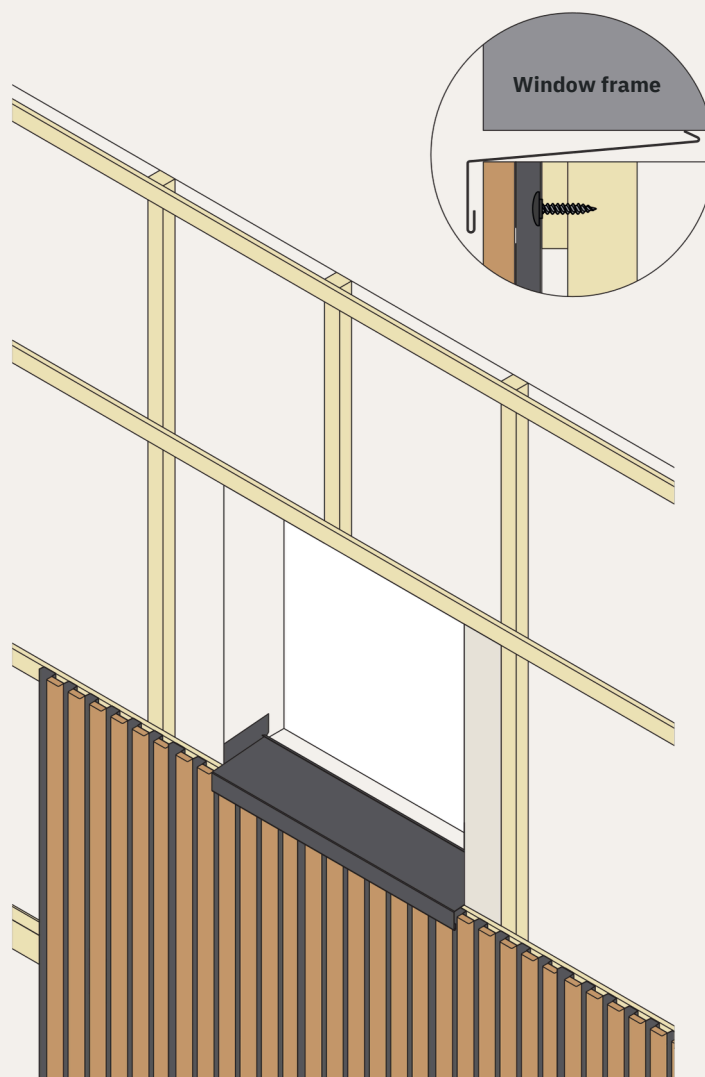
## Installation application details

Option 7: Top profile (installation without rear battens):



## Installation application details

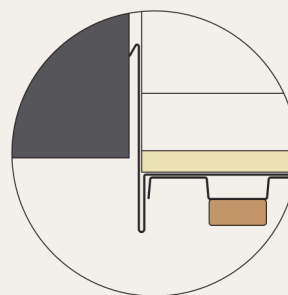
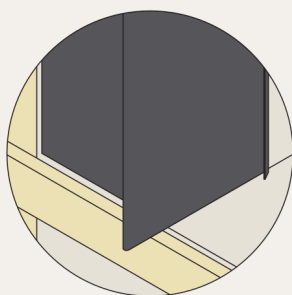
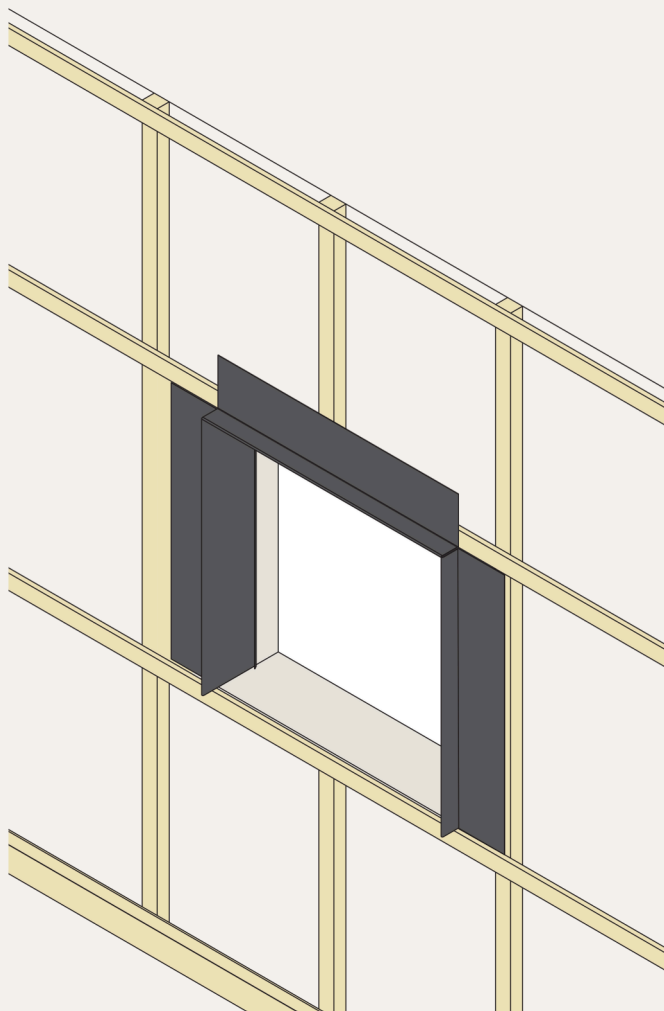
Option 8a: Window:  
Window sill:



**TIP** Cut and bend coverage to fit window hole.

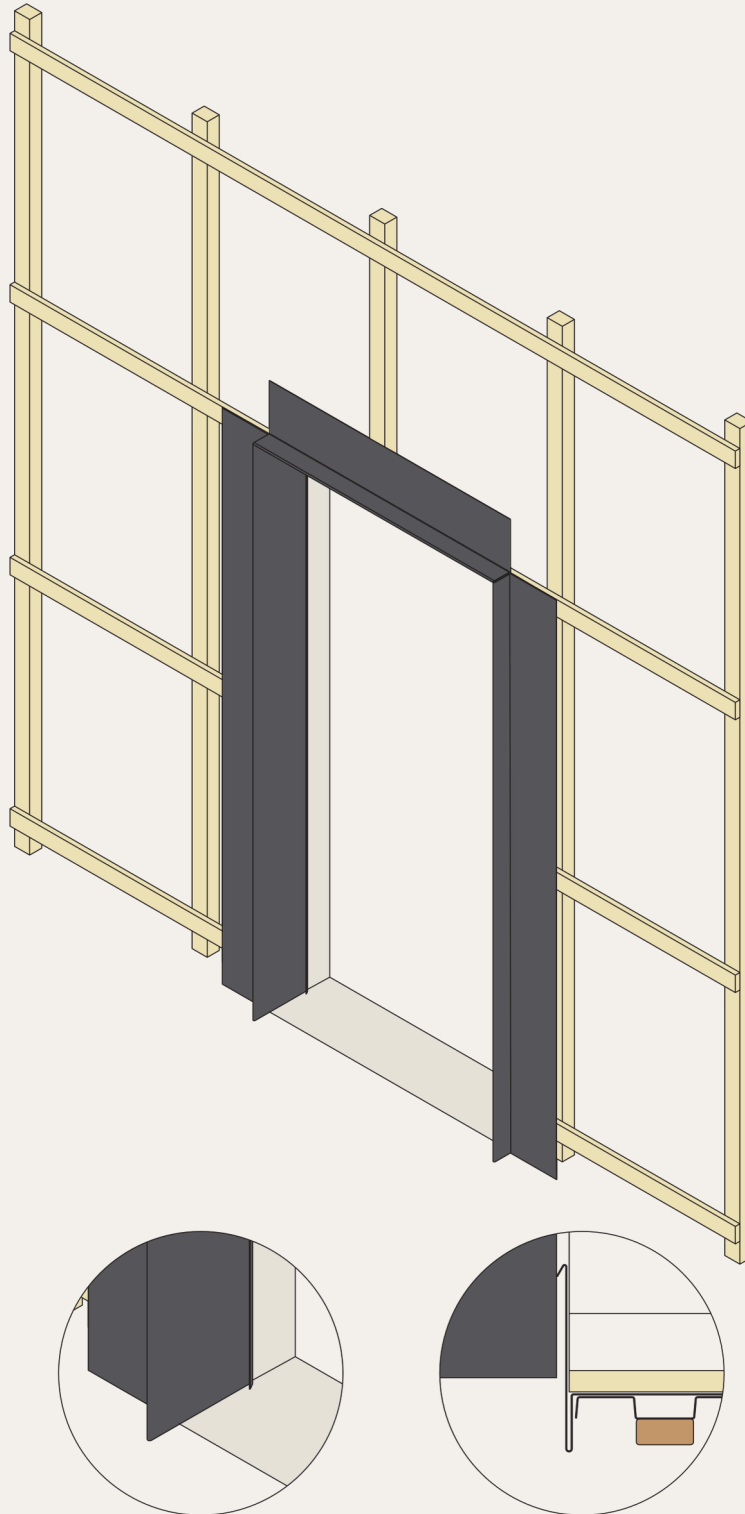
# Installation application details

Option 8b: Window:  
Window coverage:



# Installation application details

Option 9: Door coverage:





WOOD  UPP

**WoodUpp USA**

391 Hickory Street, Mount Airy  
NC 27030  
Phone: 336 755 2268  
E-mail: [sona@woodupp.com](mailto:sona@woodupp.com)

[woodupp.com](http://woodupp.com)